



# SGM48211

## 120V Boot, 4A Peak, High Frequency High-side and Low-side Driver

### GENERAL DESCRIPTION

The SGM48211 is a half-bridge MOSFET driver with 4A peak source and sink output current capability, which makes it possible to drive large power MOSFETs with minimized switching losses. The two channels of high-side and low-side are totally independent with 3ns (TYP) delay matching between the turn-on and turn-off of each other.

The maximum withstanding voltage of the input stage of SGM48211 is 20V. Due to the -10V<sub>DC</sub> voltage endurance capacity of its input stage, the driver has enhanced robustness and can be interfaced to pulse transformers directly without using rectifier diodes. With a wide input hysteresis, the device can receive analog or digital PWM signals with improved noise immunity.

A 120V rated bootstrap diode is integrated internally to save the external diode and reduce PCB dimension size.

Under-voltage lockout (UVLO) is integrated in both the high-side and the low-side drivers. The output of each channel is forced low if the corresponding driving voltage falls below the specified threshold.

The SGM48211 is available in Green SOIC-8, SOIC-8 (Exposed Pad) and TDFN-4x4-8AL packages.

### FEATURES

- **Wide Operating Range: 8V to 17V**
- **Drive Two N-MOSFETs Configured in Half Bridge**
- **Maximum Blocking Voltage: 120V DC**
- **Integrated Internal Bootstrap Diode for Cost Saving**
- **4A Peak Sink and Source Currents**
- **-10V to 20V Tolerance of Input Pins**
- **COMS/TTL Compatible Inputs**
- **6.5ns (TYP) Rise Time and 4.5ns (TYP) Fall Time with 1000pF Load**
- **Propagation Delay Time: 31ns (TYP)**
- **Delay Matching: 3ns (TYP)**
- **UVLO Functions for Both High-side and Low-side Drivers**
- **-40°C to +140°C Operating Junction Temperature Range**
- **Available in Green SOIC-8, SOIC-8 (Exposed Pad) and TDFN-4x4-8AL Packages**

### APPLICATIONS

Power Converters in 48V or Lower Systems Used in Telecom, Datacom, Portable Storage, etc.  
Half-Bridge, Full-Bridge, Push-Pull, Synchronous-Buck and Forward Converters  
Synchronous Rectifiers  
Class-D Audio Amplifiers

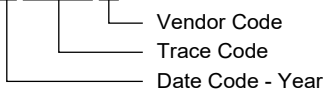
**PACKAGE/ORDERING INFORMATION**

MODEL	PACKAGE DESCRIPTION	SPECIFIED TEMPERATURE RANGE	ORDERING NUMBER	PACKAGE MARKING	PACKING OPTION
SGM48211	SOIC-8	-40°C to +140°C	SGM48211XS8G/TR	SGM 48211XS8 XXXXX	Tape and Reel, 4000
	SOIC-8 (Exposed Pad)	-40°C to +140°C	SGM48211XPS8G/TR	SGM 48211XPS8 XXXXX	Tape and Reel, 4000
	TDFN-4x4-8AL	-40°C to +140°C	SGM48211XTGW8G/TR	SGM48211 XTGW8 XXXXX	Tape and Reel, 3000

**MARKING INFORMATION**

NOTE: XXXXX = Date Code, Trace Code and Vendor Code.

**XXXXX**



Green (RoHS & HSF): SG Micro Corp defines "Green" to mean Pb-Free (RoHS compatible) and free of halogen substances. If you have additional comments or questions, please contact your SGMICRO representative directly.

**ABSOLUTE MAXIMUM RATINGS**

Supply Voltage Range, $V_{DD}^{(1)}$ , $V_{HB} - V_{HS}$ .....	-0.3V to 20V
Input Voltages on LI and HI, $V_{LI}$ , $V_{HI}$ .....	-10V to 20V
LO Output Voltage, $V_{LO}$ .....	-0.3V to $V_{DD} + 0.3V$
HO Output Voltage, $V_{HO}$ .....	$V_{HS} - 0.3V$ to $V_{HB} + 0.3V$
HS Voltage, $V_{HS}$	
DC.....	-1V to 115V
Repetitive Pulse < 100ns.....	$-(24V - V_{DD})$ to 115V
HB Voltage, $V_{HB}$ .....	-0.3V to 120V
Package Thermal Resistance	
SOIC-8, $\theta_{JA}$ .....	104.9°C/W
SOIC-8, $\theta_{JB}$ .....	50.7°C/W
SOIC-8, $\theta_{JC}$ .....	49.4°C/W
SOIC-8 (Exposed Pad), $\theta_{JA}$ .....	37.9°C/W
SOIC-8 (Exposed Pad), $\theta_{JB}$ .....	14.2°C/W
SOIC-8 (Exposed Pad), $\theta_{JC(TOP)}$ .....	59.3°C/W
SOIC-8 (Exposed Pad), $\theta_{JC(BOT)}$ .....	4.3°C/W
TDFN-4x4-8AL, $\theta_{JA}$ .....	32.6°C/W
TDFN-4x4-8AL, $\theta_{JB}$ .....	11.5°C/W
TDFN-4x4-8AL, $\theta_{JC(TOP)}$ .....	33.9°C/W
TDFN-4x4-8AL, $\theta_{JC(BOT)}$ .....	2.8°C/W
Junction Temperature.....	+150°C
Storage Temperature Range.....	-65°C to +150°C
Lead Temperature (Soldering, 10s).....	+260°C
ESD Susceptibility	
HBM.....	2000V
CDM.....	1000V

NOTE:

1. All voltages are with reference to VSS. Positive and negative currents are defined by flowing into and out of the specified terminal respectively.

**RECOMMENDED OPERATING CONDITIONS**

Supply Voltage Range, $V_{DD}$ , $V_{HB} - V_{HS}$ .....	8V to 17V
HS Voltage, $V_{HS}$ .....	-1V to 105V
HB Voltage, $V_{HB}$ .....	$V_{HS} + 8V$ to $V_{HS} + 17V$
HB Voltage, $V_{HB}$ .....	$V_{DD} - 1V$ to 110V
HS Voltage Slew Rate.....	50V/ns (MAX)
Operating Junction Temperature Range.....	-40°C to +140°C

**OVERSTRESS CAUTION**

Stresses beyond those listed in Absolute Maximum Ratings may cause permanent damage to the device. Exposure to absolute maximum rating conditions for extended periods may affect reliability. Functional operation of the device at any conditions beyond those indicated in the Recommended Operating Conditions section is not implied.

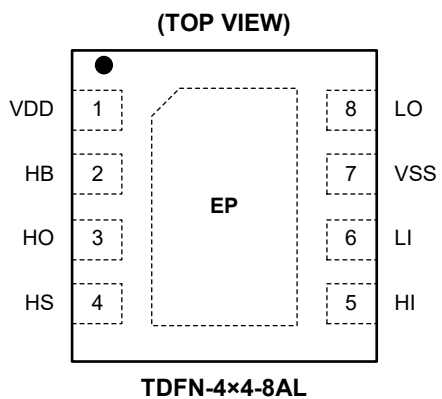
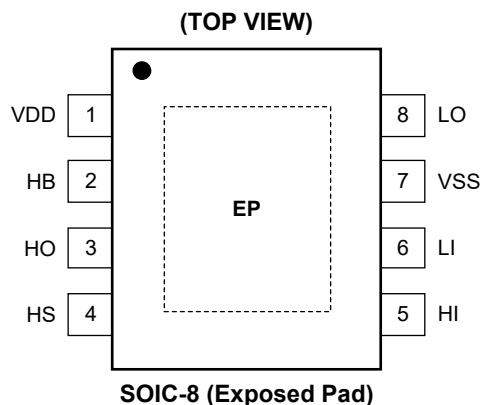
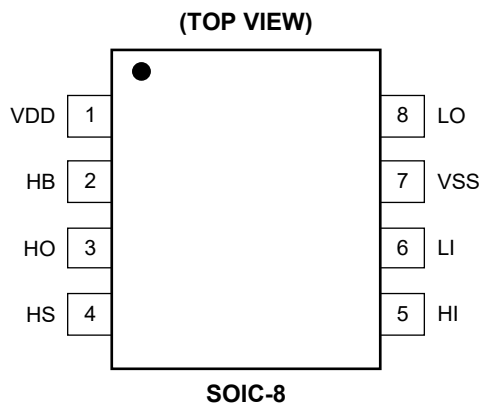
**ESD SENSITIVITY CAUTION**

This integrated circuit can be damaged if ESD protections are not considered carefully. SGMICRO recommends that all integrated circuits be handled with appropriate precautions. Failure to observe proper handling and installation procedures can cause damage. ESD damage can range from subtle performance degradation to complete device failure. Precision integrated circuits may be more susceptible to damage because even small parametric changes could cause the device not to meet the published specifications.

**DISCLAIMER**

SG Micro Corp reserves the right to make any change in circuit design, or specifications without prior notice.

**PIN CONFIGURATIONS**



## PIN DESCRIPTION

PIN	NAME	I/O <sup>(1)</sup>	FUNCTION
1	VDD	P	Positive Supply of the Whole Driver. A decoupling capacitor in the range of 0.22 $\mu$ F to 4.7 $\mu$ F is connected between VDD and VSS pins. <sup>(2)</sup>
2	HB	P	High-side Bootstrap Supply. A bootstrap capacitor in the range of 0.022 $\mu$ F to 0.1 $\mu$ F is connected between HB and HS pins. The capacitor value varies with total gate charge of external MOSFET, the switching speed, as well as the voltage ripple criteria.
3	HO	O	Output of the High-side Driver. Connect this pin to the gate of the high-side MOSFET.
4	HS	P	Reference Ground of the High-side Output Stage. Tie this pin directly to the source of external high-side power MOSFET.
5	HI	I	Input of the High-side Driver. <sup>(3)</sup>
6	LI	I	Input of the Low-side Driver. <sup>(3)</sup>
7	VSS	G	Reference Ground of the Device.
8	LO	O	Output of the Low-side Driver. Connect this pin to the gate of the low-side MOSFET.
Exposed Pad <sup>(4)</sup>	—	—	Thermal Pad. Connect directly to VSS with a large wide trace or polygon copper to achieve improved thermal conduction.

## NOTES:

1. P: power supply, I: input, O: output, G: ground.
2. It is recommended to use the upper capacitance range for low temperature consideration.
3. Capacitors with typical value of 1nF to 10nF are recommended to be placed between HI/LI and VSS pins, which will be a great help to filter noise presented on these pins.
4. The exposed pad is internally connected to the substrate for thermal conduction and should be connected to the ground outside.

TYPICAL APPLICATION CIRCUIT

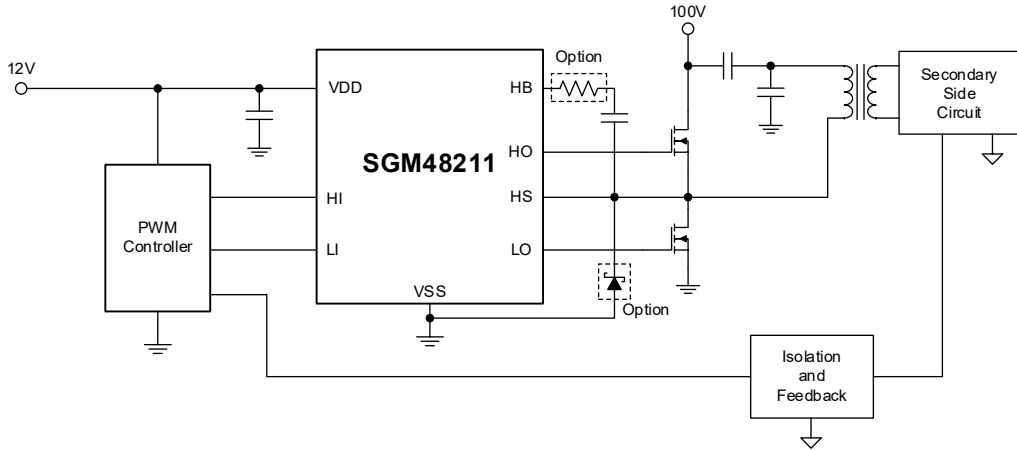


Figure 1. Typical Application Diagram

The capacitance value of the bootstrap capacitor is recommended to be less than 680nF to prevent excessive transient current breakdown of the bootstrap diode when charging the bootstrap capacitor.

If the  $Q_G$  of the power transistor is particularly large and requires a capacitor greater than 680nF, a resistor can be directly connected in series with bootstrap capacitor at the HB pin to reduce the transient current. A 1Ω to 2Ω series resistance is recommended. It is also

important to note that this series resistance also increases the total turn-on resistance.

A Schottky diode is recommended to clamp the HS voltage slightly lower than  $V_{SS}$  during large  $di/dt$  as shown in the dashed box in Figure 1. Connect the diode between HS pin and VSS pin directly and tie the cathode of the diode to HS pin. Its minimum blocking voltage should be larger than the maximum positive voltage of the half bridge.

**ELECTRICAL CHARACTERISTICS**

( $V_{DD} = V_{HB} = 12V$ ,  $V_{HS} = V_{SS} = 0V$ , no load on LO or HO,  $T_J = -40^{\circ}C$  to  $+140^{\circ}C$ , typical values are at  $T_J = +25^{\circ}C$ , unless otherwise noted.)

PARAMETER	SYMBOL	CONDITIONS	MIN	TYP	MAX	UNITS
<b>Supply Currents</b>						
VDD Quiescent Current	$I_{DD}$	$V_{LI} = V_{HI} = 0V$	0.08	0.13	0.2	mA
VDD Operating Current	$I_{DDO}$	$f = 500kHz$ , $C_{LOAD} = 0$	0.2	1.25	2.3	mA
Boot Voltage Quiescent Current	$I_{HB}$	$V_{LI} = V_{HI} = 0V$	0.06	0.1	0.14	mA
Boot Voltage Operating Current	$I_{HBO}$	$f = 500kHz$ , $C_{LOAD} = 0$	0.5	0.9	1.2	mA
HB to VSS Quiescent Current	$I_{HBS}$	$V_{HS} = V_{HB} = 110V$		14	45	$\mu A$
HB to VSS Operating Current	$I_{HBSO}$	$f = 500kHz$ , $C_{LOAD} = 0$		0.43	0.8	mA
<b>Input</b>						
Input Voltage Threshold	$V_{IH}$		1.9	2.25	2.6	V
Input Voltage Threshold	$V_{IL}$		1.3	1.55	1.8	V
Input Voltage Hysteresis	$V_{IHYS}$			0.7		V
Input Pull-Down Resistance	$R_{IN}$			68		k $\Omega$
<b>Under-Voltage Lockout (UVLO)</b>						
$V_{DD}$ Turn-On Threshold	$V_{DDR}$		6.2	7	7.8	V
Hysteresis	$V_{DDHYS}$			0.5		V
$V_{HB}$ Turn-On Threshold	$V_{HBR}$		5.2	6.4	7.6	V
Hysteresis	$V_{HBHYS}$			1		V
<b>Bootstrap Diode</b>						
Low-Current Forward Voltage	$V_F$	$I_{VDD-HB} = 100\mu A$		0.65	0.9	V
High-Current Forward Voltage	$V_{FI}$	$I_{VDD-HB} = 100mA$		0.95	1.2	V
Dynamic Resistance, $\Delta V_F / \Delta I$	$R_D$	$I_{VDD-HB} = 100mA$ and $80mA$	0.5	0.9	1.5	$\Omega$
<b>LO Gate Driver</b>						
Low Level Output Voltage	$V_{OLL}$	$I_{LO} = 100mA$	0.02	0.06	0.12	V
High Level Output Voltage	$V_{OHL}$	$I_{LO} = -100mA$ , $V_{OHL} = V_{DD} - V_{LO}$	0.04	0.1	0.18	V
Peak Pull-Up Current	$I_{OHL}$	$V_{LO} = 0V$		4		A
Peak Pull-Down Current	$I_{OLL}$	$V_{LO} = 12V$		5		A
<b>HO Gate Driver</b>						
Low Level Output Voltage	$V_{OLH}$	$I_{HO} = 100mA$	0.02	0.06	0.12	V
High Level Output Voltage	$V_{OHH}$	$I_{HO} = -100mA$ , $V_{OHH} = V_{HB} - V_{HO}$	0.04	0.1	0.18	V
Peak Pull-Up Current	$I_{OHH}$	$V_{HO} = 0V$		3.7		A
Peak Pull-Down Current	$I_{OLH}$	$V_{HO} = 12V$		4.6		A

SWITCHING CHARACTERISTICS

(V<sub>DD</sub> = 12V, V<sub>HB</sub> - V<sub>HS</sub> = 12V, T<sub>J</sub> = -40°C to +140°C, typical values are at T<sub>J</sub> = +25°C, unless otherwise noted.)

PARAMETER	SYMBOL	CONDITIONS	MIN <sup>(2)</sup>	TYP	MAX <sup>(2)</sup>	UNITS
<b>Propagation Delays</b>						
V <sub>LI</sub> Falling to V <sub>LO</sub> Falling	t <sub>DLFF</sub>	C <sub>LOAD</sub> = 0	18	28	42	ns
V <sub>HI</sub> Falling to V <sub>HO</sub> Falling	t <sub>DHFF</sub>		18	28	42	ns
V <sub>LI</sub> Rising to V <sub>LO</sub> Rising	t <sub>DLRR</sub>		18	31	47	ns
V <sub>HI</sub> Rising to V <sub>HO</sub> Rising	t <sub>DHRR</sub>		18	31	47	ns
<b>Delay Matching</b>						
From HO Off to LO On	t <sub>MON</sub>			3	10	ns
From LO Off to HO On	t <sub>MOFF</sub>			3	10	ns
<b>Output Rise and Fall Time</b>						
LO Rise Time	t <sub>R</sub>	C <sub>LOAD</sub> = 1nF, from 10% to 90%		6.5	12	ns
HO Rise Time	t <sub>R</sub>			6.5	12	ns
LO Fall Time	t <sub>F</sub>	C <sub>LOAD</sub> = 1nF, from 90% to 10%		4.5	7.5	ns
HO Fall Time	t <sub>F</sub>			4.5	7.5	ns
LO	t <sub>R</sub>	C <sub>LOAD</sub> = 0.1μF, (3V to 9V)		235	365	ns
HO	t <sub>R</sub>			235	365	ns
LO	t <sub>F</sub>	C <sub>LOAD</sub> = 0.1μF, (9V to 3V)		170	265	ns
HO	t <sub>F</sub>			170	265	ns
<b>Miscellaneous</b>						
Minimum Input Pulse Width that Changes the Output <sup>(1)</sup>	t <sub>MIN</sub>				33	ns

NOTES:

1. Ensure that the minimum pulse width of the input is greater than 33ns and configure enough dead time to prevent high-side and low-side transistor pass-through.
2. Specified by design and characterization, not production tested.

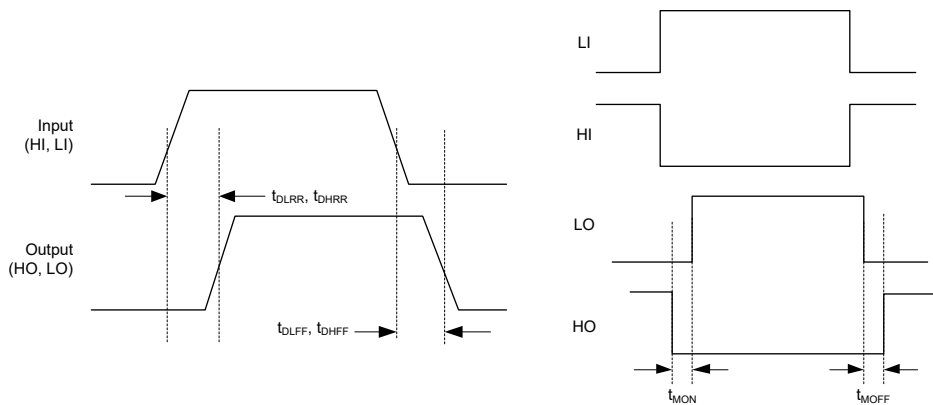
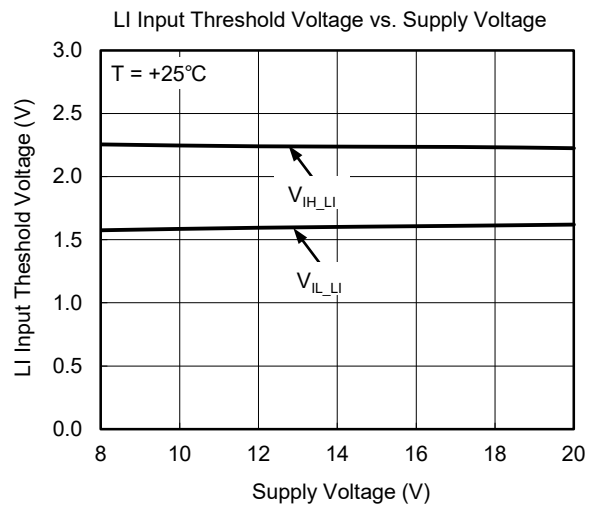
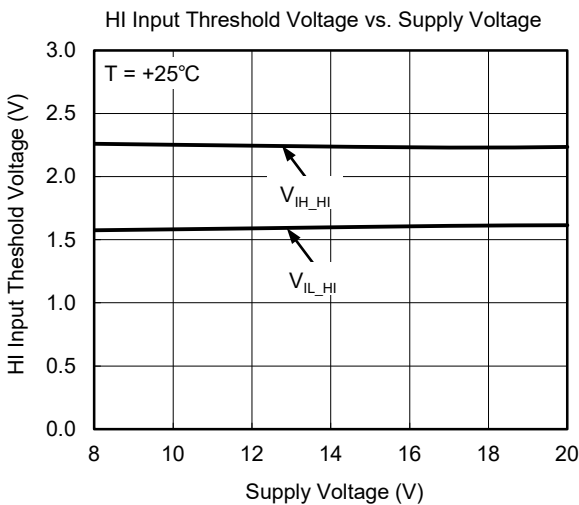
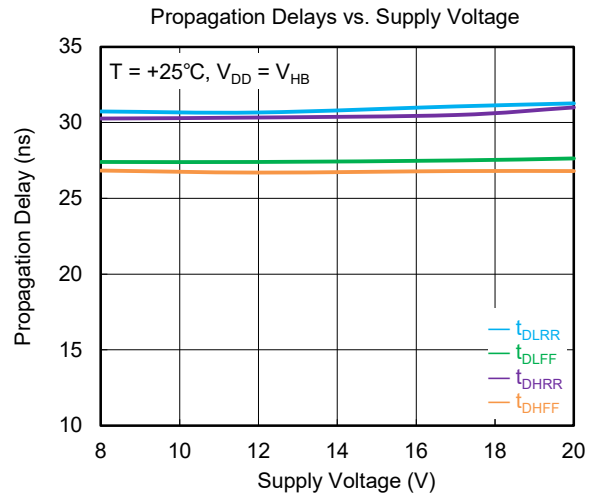
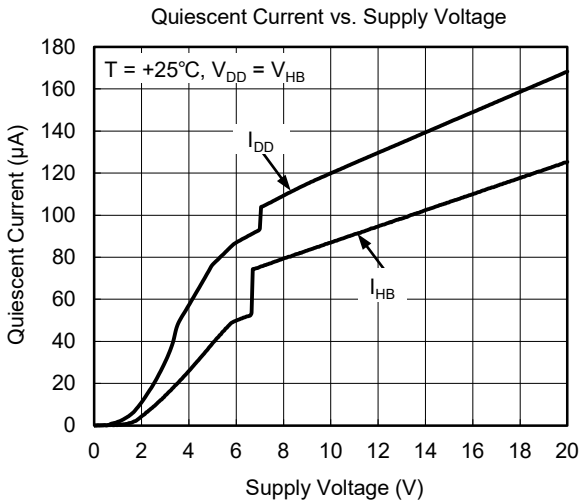
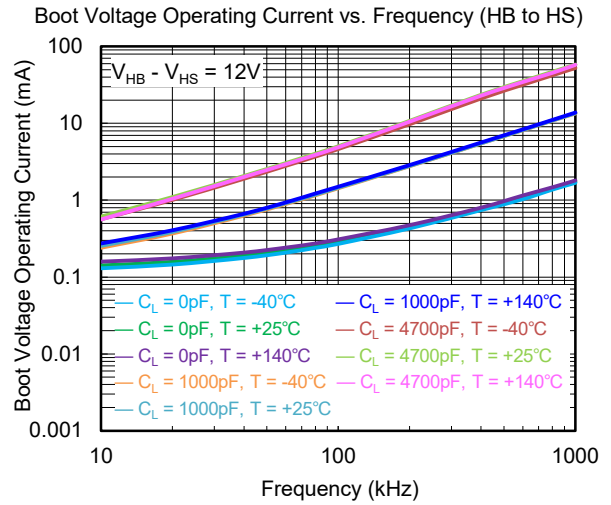
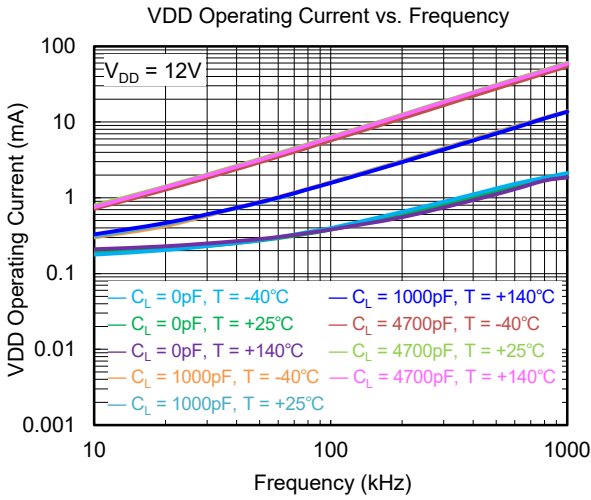


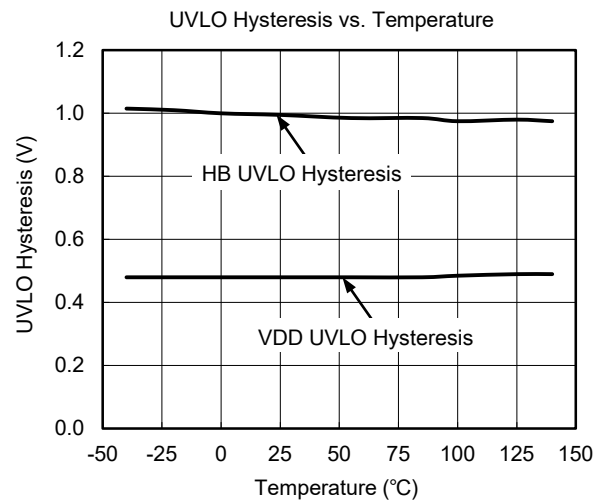
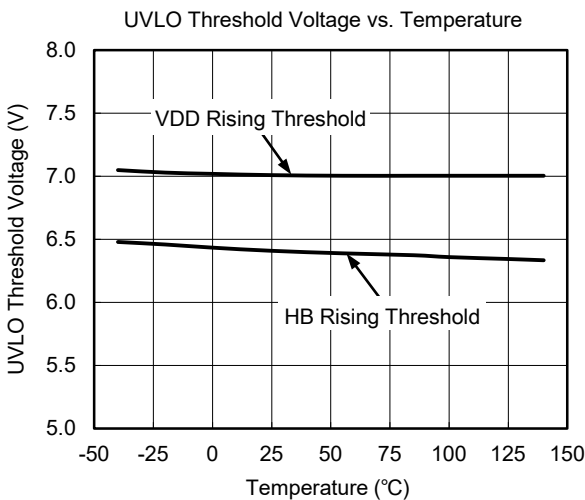
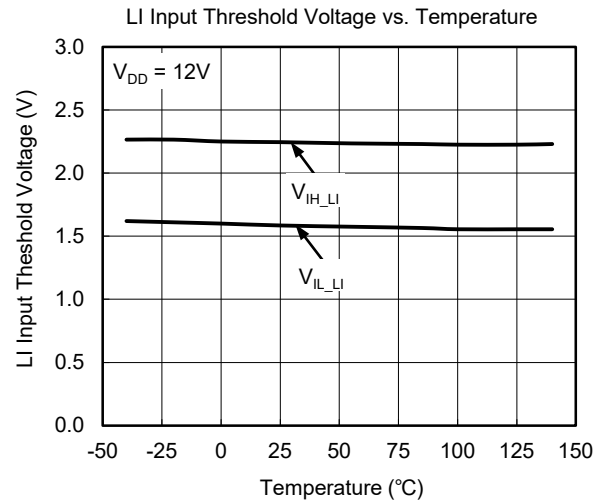
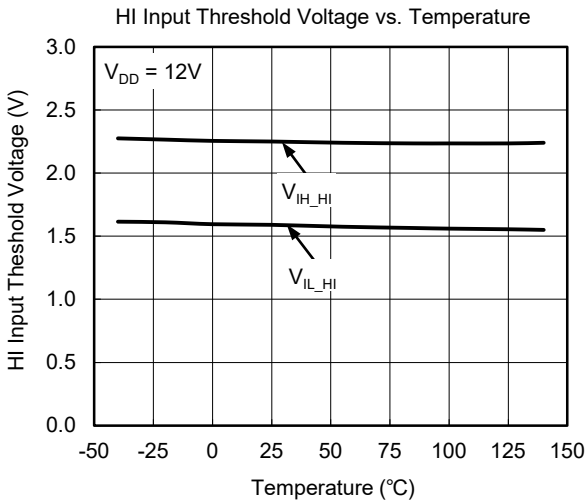
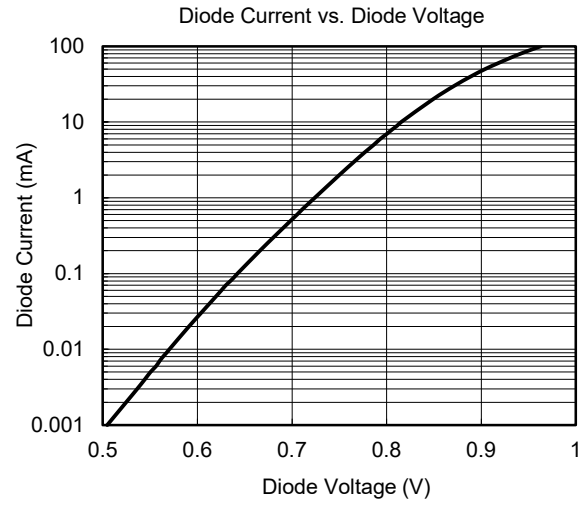
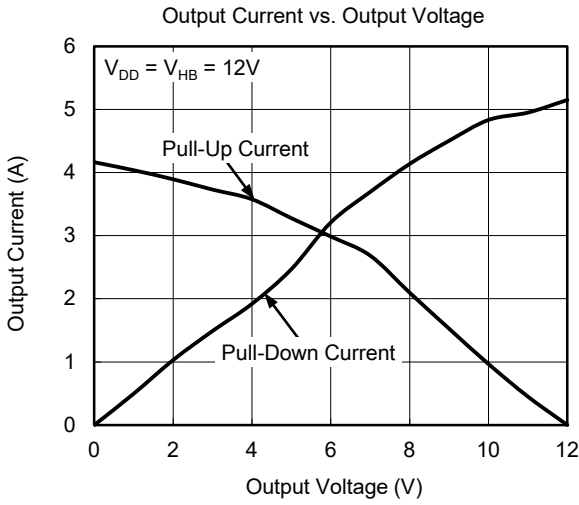
Figure 2. Timing Diagram

TYPICAL PERFORMANCE CHARACTERISTICS

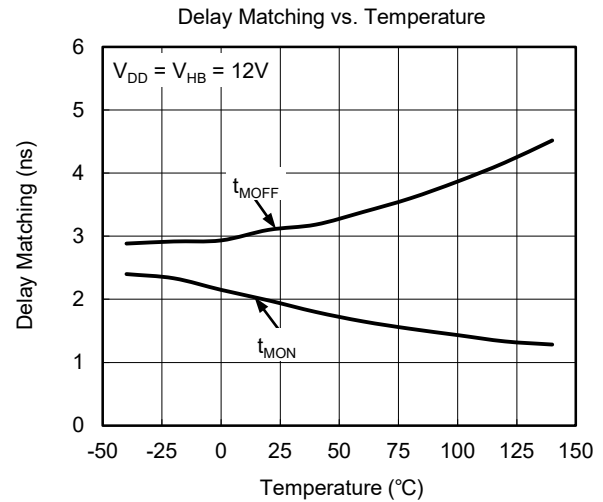
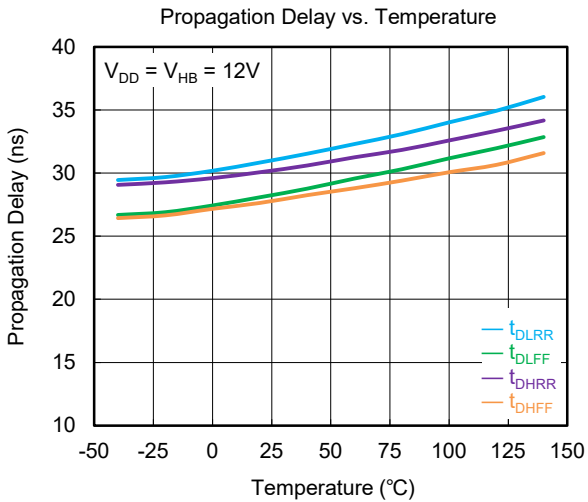
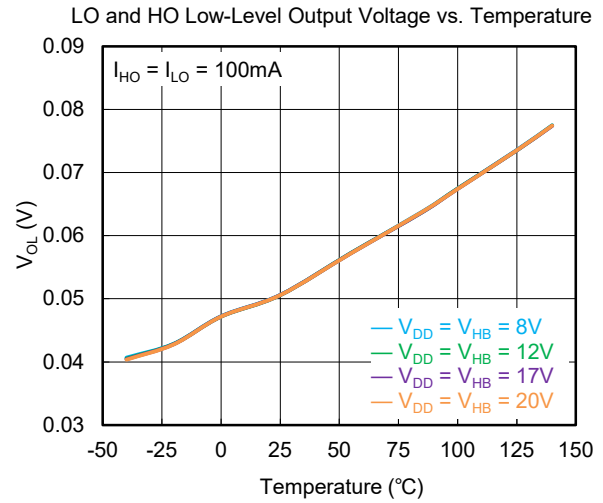
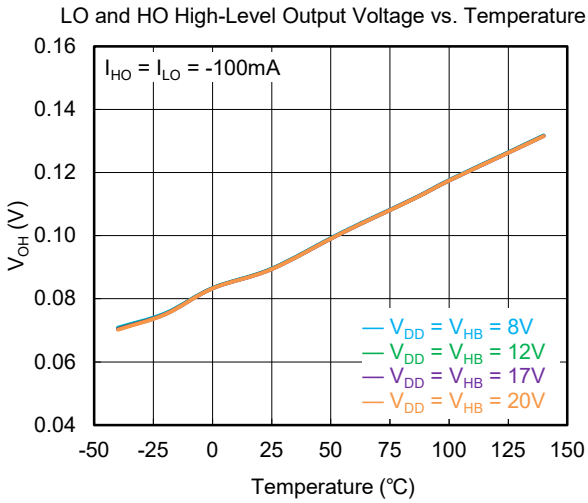




TYPICAL PERFORMANCE CHARACTERISTICS (continued)



TYPICAL PERFORMANCE CHARACTERISTICS (continued)



FUNCTIONAL BLOCK DIAGRAM

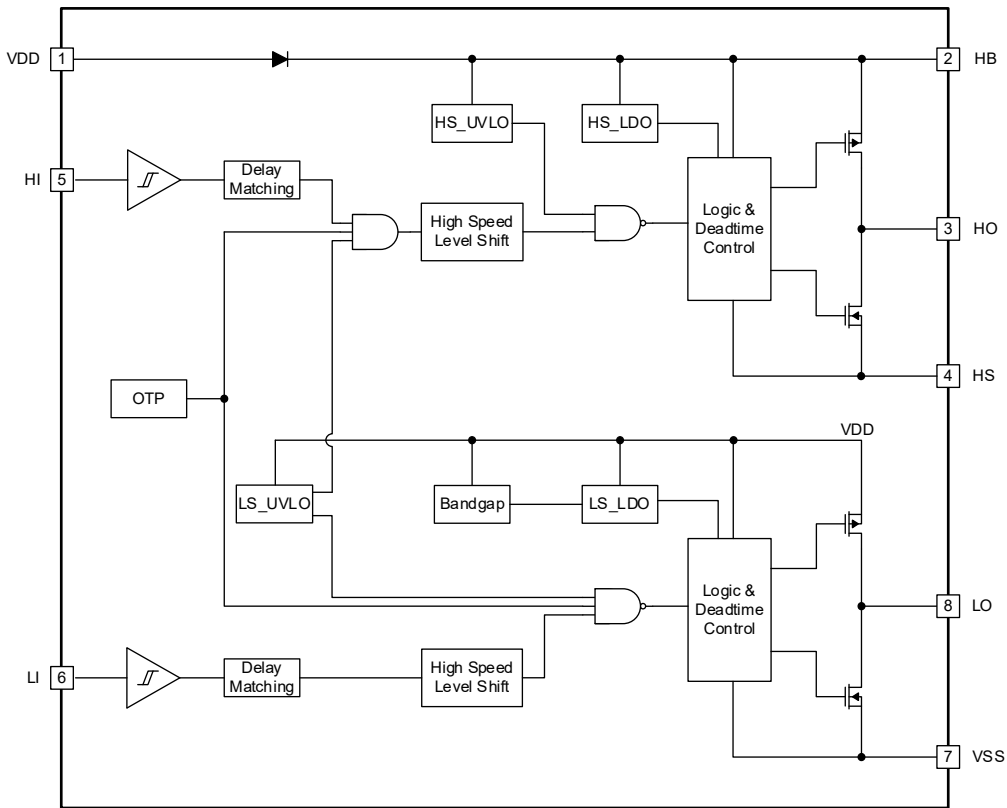


Figure 3. Functional Block Diagram

**DETAILED DESCRIPTION**

The SGM48211 is a high-side and low-side gate driver and is designed to drive two switches in a half-bridge configuration.

Highlights of the SGM48211 are listed in Table 1. Due to the combination of these features, the device can operate with high frequency and robustness.

**Table 1. Prominent Features and Benefits**

Feature	Benefit
4A peak source and sink current.	To drive large power MOSFET and minimum switching losses.
Wide input withstanding voltage range of -10V to 20V V <sub>DC</sub> .	High robustness and reliability. Can be used in various applications.
120V internal bootstrap diode.	Large margin to meet telecom 100V surge requirements and reduce system cost.
Robust ESD circuitry.	Improved immunity to Common Mode (CM) and Differential Mode (DM) noises.
31ns (TYP) propagation delay.	Low current distortion.
3ns (TYP) delay matching between channels.	Better Symmetry of Positive and Negative waveform.
Both high-side and low-side drivers feature UVLO circuit.	Ensures two channels shutdown simultaneously.
CMOS/TTL optimized thresholds with wide voltage hysteresis.	Improved noise immunity.

**Input Stage**

The input of each channel is designed with 68kΩ input impedance (internal pull-down to VSS). The input stages of the SGM48211 are CMOS/TTL compatible and designed with 2.25V logic high and 1.55V logic low thresholds, 68kΩ equivalent input impedance. A 68kΩ pull-down resistor is integrated internally in each channel.

**Output Stage**

Both output stages of the two drivers are designed to source and sink 4A peak current. Thus it allows for driving MOSFETs with high current capability and low switching losses. VSS is the reference ground of the low-side output stage and HS is the reference ground of the high-side output stage.

**Under-Voltage Lockout (UVLO)**

UVLO protections are implemented in both bias supplies of the high-side and low-side drivers. Once triggered, the V<sub>DD</sub> UVLO disables both drivers while the V<sub>HB</sub> UVLO only disables the high-side driver. The rising UVLO thresholds of V<sub>DD</sub> and V<sub>HB</sub> are 7V with 0.5V hysteresis and 6.4V with 1V hysteresis respectively.

**Level Shift**

A level shift circuit is integrated to shift the input signal to the output stage of the high-side driver and provides the minimum delay matching with the low-side driver.

**Bootstrap Diode**

A 120V rated bootstrap diode is internally connected between VDD and HB pins of the SGM48211 for generating the high-side bias. During turn-on of the low-side MOSFET in each cycle, the capacitor connected between the HB and HS pins is charged from VDD to HS through the bootstrap diode which provides fast recovery time and low diode resistance for efficient operation.

**Device Functional Modes**

When the SGM48211 operates in normal mode (inactive UVLO), the outputs (HO and LO) of both drivers follow their corresponding input signals (HI and LI) as listed in Table 2.

**Table 2. Device Logic Table**

HI Pin	LI Pin	HO Pin <sup>(1)</sup>	LO Pin <sup>(2)</sup>
L	L	L	L
L	H	L	H
H	L	H	L
H	H	H	H

NOTES:

1. With reference to HS.
2. With reference to VSS.

## APPLICATION INFORMATION

The SGM48211 implements both the level-shifting and buffer-drive functions to boost the 3.3V signal to the gate-drive voltage to fully turn on the power device for achieving high-frequency switching, minimizing noise and controlling floating power-device gates and reducing power losses.

The SGM48211 is designed with low propagation delays and adopts low-inductance and compact package. It is available to drive wide band-gap power device such as GaN based switches for supporting very high switching frequency and low-cost component count.

### Design Requirements

Table 3. Design Specifications

Design Parameter	Example Value
Supply Voltage, $V_{DD}$	12V
Voltage on HS, $V_{HS}$	0V to 100V
Voltage on HB, $V_{HB}$	12V to 112V
Output Current Rating, $I_O$	-4A to 4A
Operating Frequency	500kHz

### Input Threshold Type

The SGM48211 can handle a maximum input voltage range from -10V to 20V to achieve enhanced robustness and allow compatibility with both inputs from microcontrollers, as well as higher-voltage inputs from gate-drive transformers. The inputs adopt TTL and CMOS compatible structure with a wide range of hysteresis. The voltage threshold is independent of  $V_{DD}$ .

### Supply Voltage $V_{DD}$

The SGM48211 operates with a wide supply voltage range from 8V to 17V for applications such as driving Si MOSFETs, IGBTs, SiC MOSFETs and GaN FETs. The maximum voltage on VDD when applied to a single-ended power, and the differential voltage of the positive voltage and the negative voltage when applied to dual-railed power, as well as the bias supply voltage on the VDD pin should never exceed the values listed in the Absolute Maximum Ratings section.

### Peak Driving Currents

The SGM48211 is designed with 4A peak source and sink currents for fast switching of power devices. For

example, when the SGM48211 is used to drive an IPB60R120P7 power MOSFET with a DC bus voltage of 400V in a continuous conduction mode (CCM) PFC converter, the turn-on event and the turn-off event are supposed to be completed in approximately 14ns and 8ns (refer to DS of IPB60R120P7 with typical 36nC of total  $Q_G$ ) separately. Therefore, a source current of 2.57A (= 36nC/14ns) and a sink current of 4.5A (= 36nC/8ns) or higher are necessary. The SGM48211 can provide 4A peak source current and sink currents larger than the requirements of IPB60R120P7.

In practical designs, the parasitic inductance of PCB traces will limit the di/dt of the gate driving current that may not reach the full peak current capability of the driver. To minimize this impact caused by the parasitic inductance, it is recommended to place the gate drive device as close to the power MOSFET as possible and design a tight gate driving loop with minimum parasitic inductance.

External gate resistors for turn-on and turn-off of the MOSFETs should be chosen carefully to achieve efficiency and EMI optimizations.

### Propagation Delay

The SGM48211 features 31ns (TYP) propagation delay and 3ns (TYP) delay matching between the high-side and the low-side drivers, which makes it possible for the device to operate in very high frequency with little pulse distortion.

### Power Dissipation

Power dissipation is the sum of conduction loss and switching loss as shown in Equation 1.

$$P_{DISS} = P_{DC} + P_{SW} \quad (1)$$

where  $P_{DC}$  is the conduction loss and can be calculated by Equation 2.

$$P_{DC} = I_Q \times V_{DD} \quad (2)$$

where

$I_Q$  is the total quiescent current consumed by all internal block circuits and internal parasitic devices during switching (such as charging and discharging).

$V_{DD}$  is the voltage between the VDD and VSS pins.

**APPLICATION INFORMATION (continued)**

$P_G$  ( $P_{SW}$ ) is the switching loss which can be calculated by Equation 3.

$$P_G = Q_G \times V_{DD} \times f_{SW} \quad (3)$$

where

$f_{SW}$  is the switching frequency.

$Q_G$  is the total gate charge of the MOSFET, typical 36nC of IPB60R120P7 in this example.

Half of  $P_G$  is dissipated during turn-on, and the other half is dissipated by both the external gate resistors and the internal resistance of the SGM48211 during turn-off.

When no external gate resistors are used,  $P_G$  is completely dissipated inside the device.

When using external gate resistors, the effective  $P_{G\_PK}$  dissipated inside the package can be calculated by Equation 4.

$$P_{G\_PK} = \frac{1}{2} \times P_G \times \left( \frac{R_{IN\_ON}}{R_{IN\_ON} + R_{EX\_ON}} + \frac{R_{IN\_OFF}}{R_{IN\_OFF} + R_{EX\_OFF}} \right) \quad (4)$$

where

$R_{IN\_ON}$  is the effective pull-up resistance of the output stage of SGM48211.

$R_{EX\_ON}$  is the total external turn-on resistance of gate resistor and internal gate resistance of the power MOSFET.

$R_{IN\_OFF}$  is the effective pull-down resistance of the output stage of SGM48211.

$R_{EX\_OFF}$  is the total external turn-off resistance of gate resistor and internal gate resistance of the power MOSFET.

**Power Supply Recommendations**

The SGM48211 operates in normal mode from the minimum 8V bias supply governed by the UVLO function to the maximum 17V bias supply limited by the 20V absolute maximum voltage with a 3V margin to allow for transient voltage spikes during switching.

UVLO functions are implemented in both  $V_{DD}$  and  $V_{HB}$  with a hysteresis function. The voltage thresholds of the

UVLOs are typical 7V on  $V_{DD} - V_{SS}$  and 6.4V on  $V_{HB} - V_{HS}$  with respective 0.5V and 1V hysteresis.

To avoid from entering the UVLO mode caused by the voltage ripple lower than the hysteresis on both  $V_{DD}$  and  $V_{HB}$  during switching, local bypass capacitors must be placed between the VDD and VSS pins and between the HB and HS pins as close to the device as possible. Low-ESR, ceramic surface-mount capacitors with capacitance in the range of 0.22 $\mu$ F to 4.7 $\mu$ F between VDD and VSS pins and 0.022 $\mu$ F to 0.1 $\mu$ F between HB and HS pins are recommended.

**Layout Guidelines**

The following layout recommendations should be considered:

- Place the SGM48211 as close to the MOSFETs as possible.
- Locate the bootstrap capacitor ( $V_{HB} - V_{HS}$ ) and decoupling capacitor ( $V_{DD} - V_{SS}$ ) as close to the device as possible.
- Minimize the gate drive loops from the output pins to the gate of MOSFETs. Tie the HS and VSS pins directly to the corresponding source of MOSFETs in short distance.
- Exposed pad should be connected to VSS net and with large polygon copper for improved thermal conduction.
- VDD traces should be away from the high-side pins and the LO pin.
- A minimum width of 60mils is recommended for the HO and LO traces.
- Two or more vias should be used if routing through different layers and for thermal conduction on VSS net.
- Input traces of HI and LI should be away from traces with higher dV/dt.

**Thermal Considerations**

Measures that reduce the effective thermal resistances from the package to PCB or to the open air should be taken to keep the junction temperature within rated limits.

**REVISION HISTORY**

NOTE: Page numbers for previous revisions may differ from page numbers in the current version.

<b>APRIL 2024 – REV.A.1 to REV.A.2</b>	<b>Page</b>
Added Absolute Maximum Ratings section .....	2
Changed Typical Performance Characteristics section .....	9

---

<b>JANUARY 2024 – REV.A to REV.A.1</b>	<b>Page</b>
Added Pin Description section .....	4
Added and Changed Switching Characteristics section .....	7
Changed Application Information section .....	14

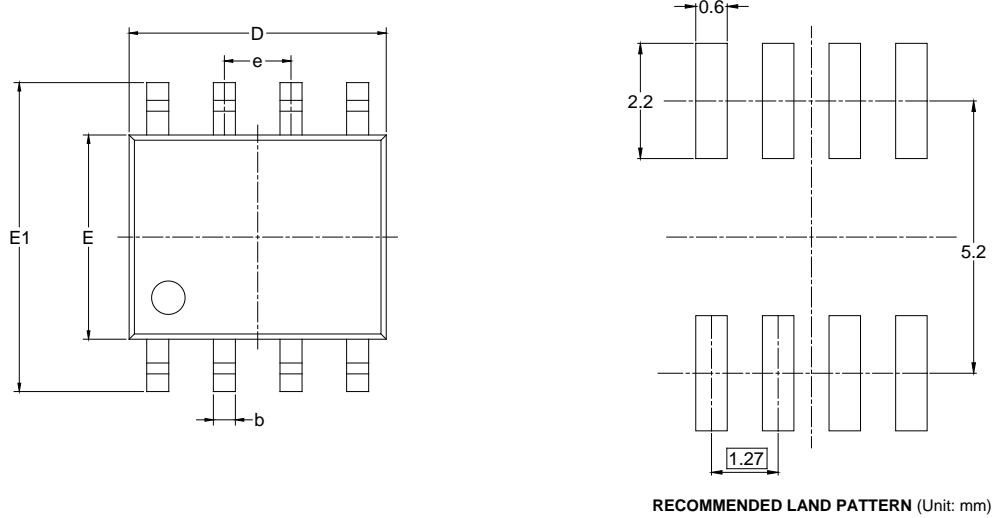
---

<b>Changes from Original (DECEMBER 2023) to REV.A</b>	<b>Page</b>
Changed from product preview to production data .....	All

---

PACKAGE OUTLINE DIMENSIONS

SOIC-8



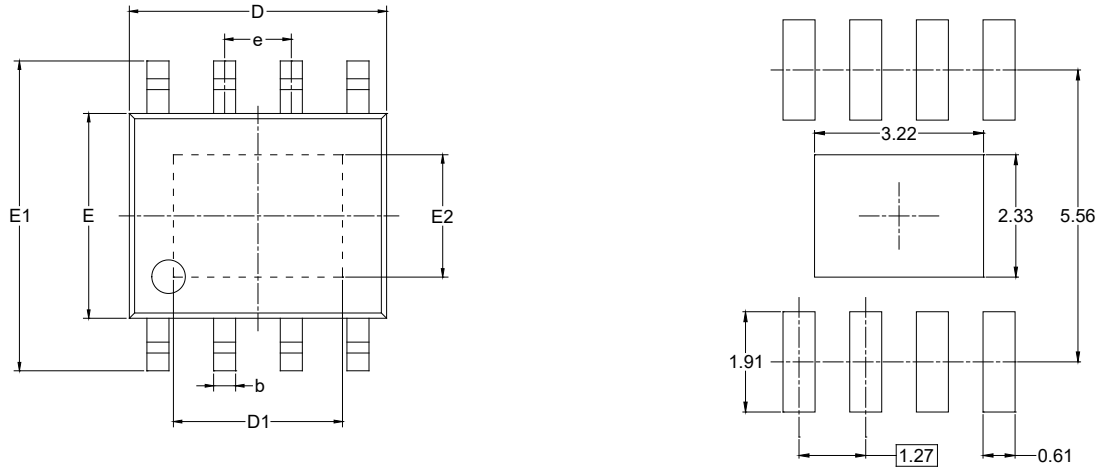
Symbol	Dimensions In Millimeters		Dimensions In Inches	
	MIN	MAX	MIN	MAX
A	1.350	1.750	0.053	0.069
A1	0.100	0.250	0.004	0.010
A2	1.350	1.550	0.053	0.061
b	0.330	0.510	0.013	0.020
c	0.170	0.250	0.006	0.010
D	4.700	5.100	0.185	0.200
E	3.800	4.000	0.150	0.157
E1	5.800	6.200	0.228	0.244
e	1.27 BSC		0.050 BSC	
L	0.400	1.270	0.016	0.050
$\theta$	0°	8°	0°	8°

NOTES:  
 1. Body dimensions do not include mode flash or protrusion.  
 2. This drawing is subject to change without notice.

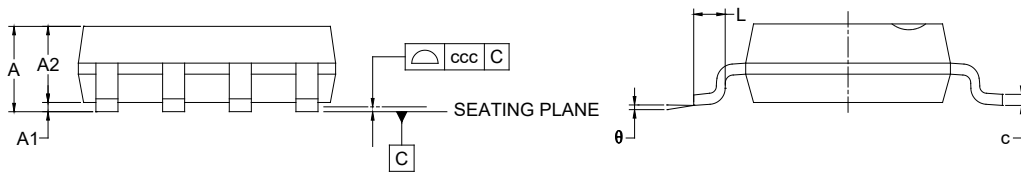


PACKAGE OUTLINE DIMENSIONS

SOIC-8 (Exposed Pad)



RECOMMENDED LAND PATTERN (Unit: mm)



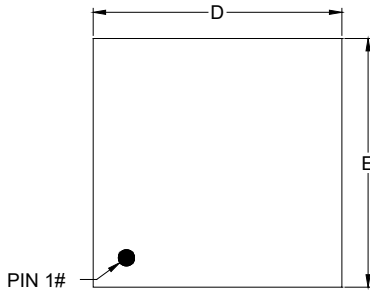
Symbol	Dimensions In Millimeters		
	MIN	MOD	MAX
A			1.700
A1	0.000	-	0.150
A2	1.250	-	1.650
b	0.330	-	0.510
c	0.170	-	0.250
D	4.700	-	5.100
D1	3.020	-	3.420
E	3.800	-	4.000
E1	5.800	-	6.200
E2	2.130	-	2.530
e	1.27 BSC		
L	0.400	-	1.270
θ	0°	-	8°
ccc	0.100		

NOTES:

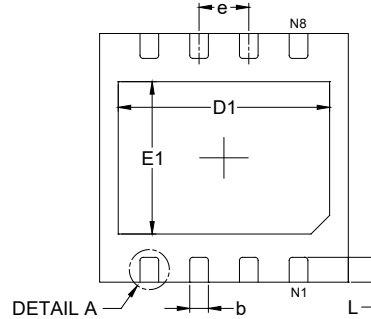
1. This drawing is subject to change without notice.
2. The dimensions do not include mold flashes, protrusions or gate burrs.
3. Reference JEDEC MS-012.

PACKAGE OUTLINE DIMENSIONS

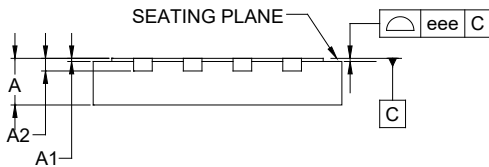
TDFN-4x4-8AL



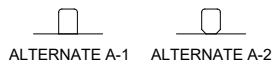
TOP VIEW



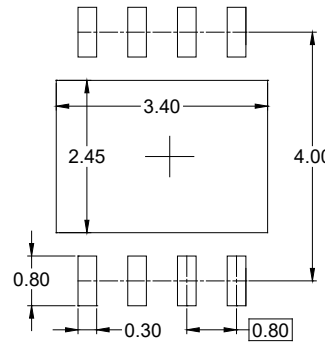
BOTTOM VIEW



SIDE VIEW



DETAIL A  
ALTERNATE TERMINAL  
CONSTRUCTION



RECOMMENDED LAND PATTERN (Unit: mm)

Symbol	Dimensions In Millimeters		
	MIN	MOD	MAX
A	0.700	-	0.800
A1	0.000	-	0.050
A2	0.203 REF		
b	0.250	-	0.350
D	3.900	-	4.100
E	3.900	-	4.100
D1	3.300	-	3.500
E1	2.350	-	2.550
e	0.800 BSC		
L	0.300	-	0.500
eee	0.080		

NOTE: This drawing is subject to change without notice.

# PACKAGE INFORMATION

## TAPE AND REEL INFORMATION

### REEL DIMENSIONS



### TAPE DIMENSIONS



NOTE: The picture is only for reference. Please make the object as the standard.

### KEY PARAMETER LIST OF TAPE AND REEL

Package Type	Reel Diameter	Reel Width W1 (mm)	A0 (mm)	B0 (mm)	K0 (mm)	P0 (mm)	P1 (mm)	P2 (mm)	W (mm)	Pin1 Quadrant
SOIC-8	13"	12.4	6.40	5.40	2.10	4.0	8.0	2.0	12.0	Q1
SOIC-8 (Exposed Pad)	13"	12.4	6.40	5.40	2.10	4.0	8.0	2.0	12.0	Q1
TDFN-4x4-8AL	13"	12.4	4.30	4.30	1.10	4.0	8.0	2.0	12.0	Q2

DD0001

# PACKAGE INFORMATION

## CARTON BOX DIMENSIONS



NOTE: The picture is only for reference. Please make the object as the standard.

## KEY PARAMETER LIST OF CARTON BOX

Reel Type	Length (mm)	Width (mm)	Height (mm)	Pizza/Carton
13"	386	280	370	5

DD0002